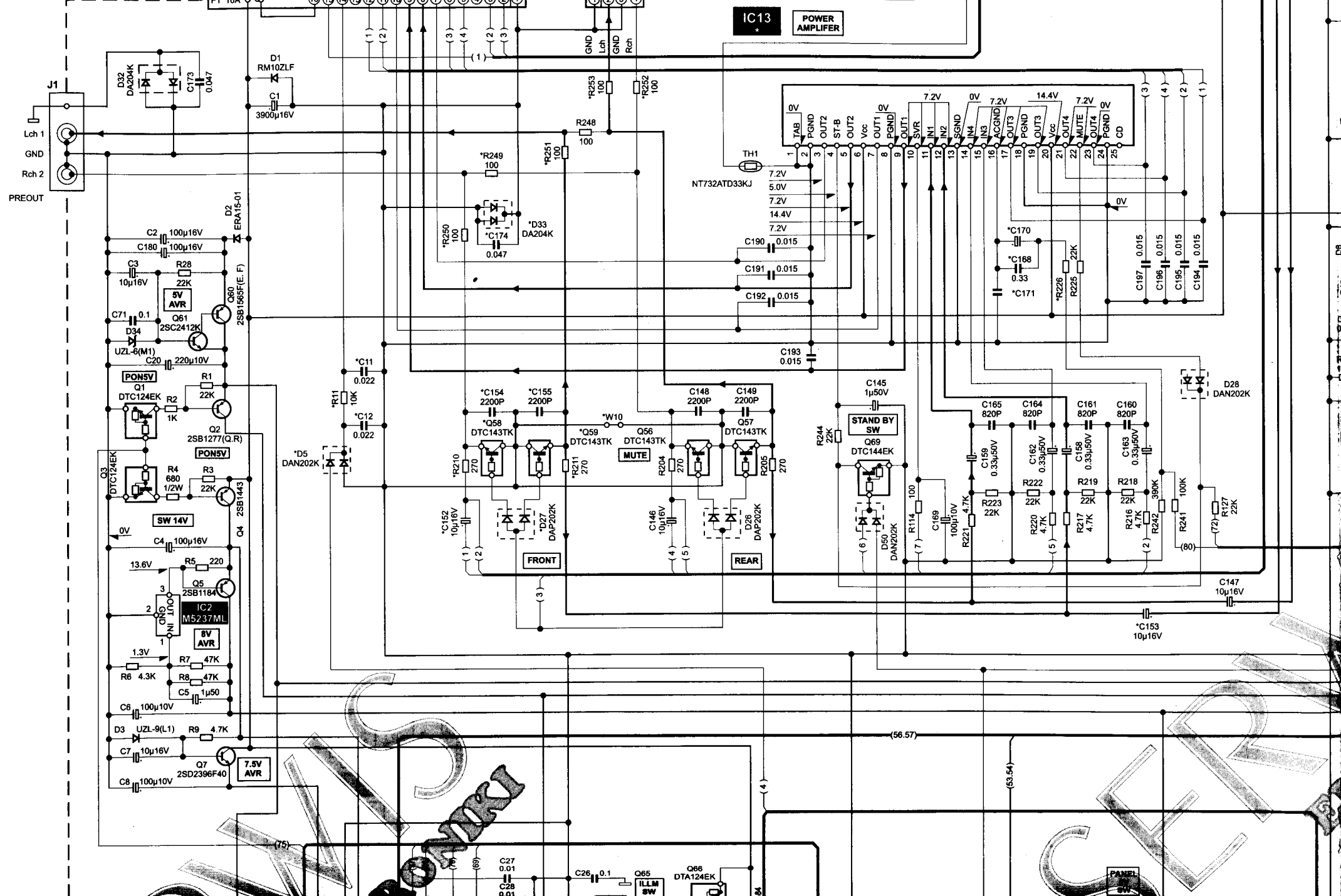
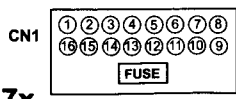


TO E30-43xx

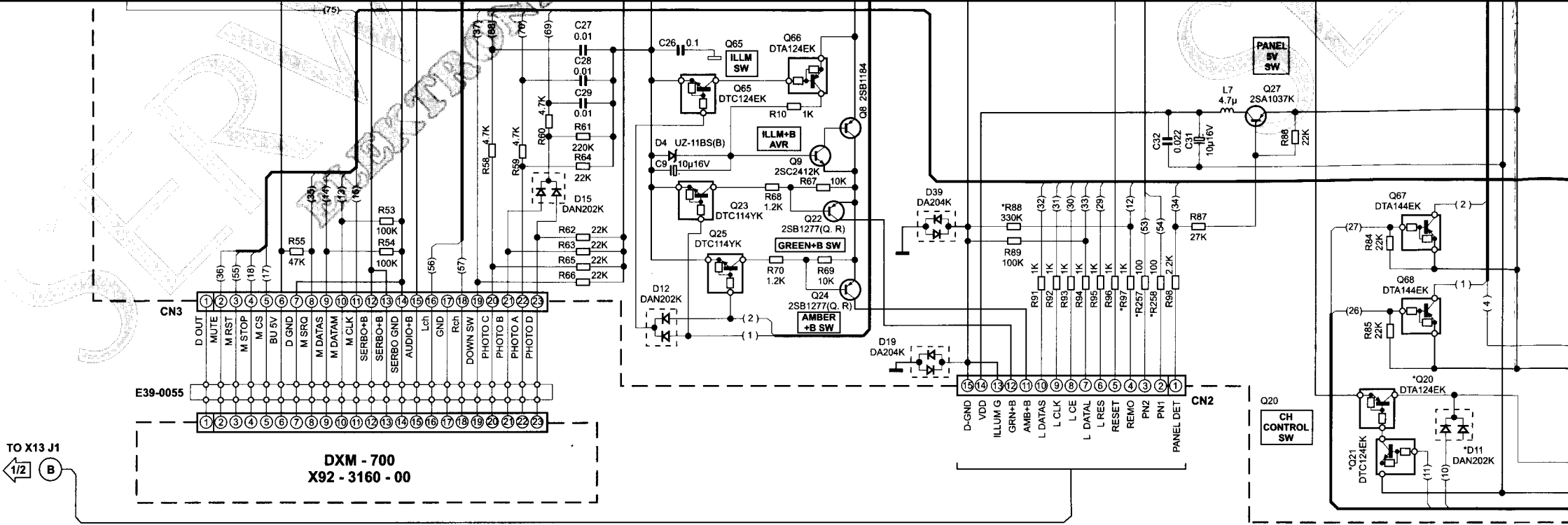
1/2 A

# X25-7642-7x



**WARRANTY**

**FR**



X25 - 7642 - 7x

MODEL NAME	UNIT NO.	C64	C170	C171	IC13	R46, 248, 249 W8+10	R47	R48	R145	R146	R226	C11, 12, 18, 94, 108+110, 112, 113, 154, 155, 168, 172, 174, 181; D5, 10, 11, 20, 27, 29+31, 33, 44, 48; Q15, 18, 20, 21, 29, 32, 52, 58, 59; CN4, 5; R11, 22, 23, 38, 39, 44, 45, 49+51, 88, 97, 99, 119, 120, 180+181
KDC-8040R	0	10p	1μ/50V	3300p	TDA7384A	NO	YES	NO	56k	2k7	680	
KDC-8040RL	1					NO	NO	YES				YES
KDC-7040R	2	12p	0,33μ/50V	820p	TDA7385	YES	YES	NO	75k	1k8	4k3	
KDC-7040RL	3					NO	NO	YES				NO

Terminal description: IC3 ST7285A506ACF1

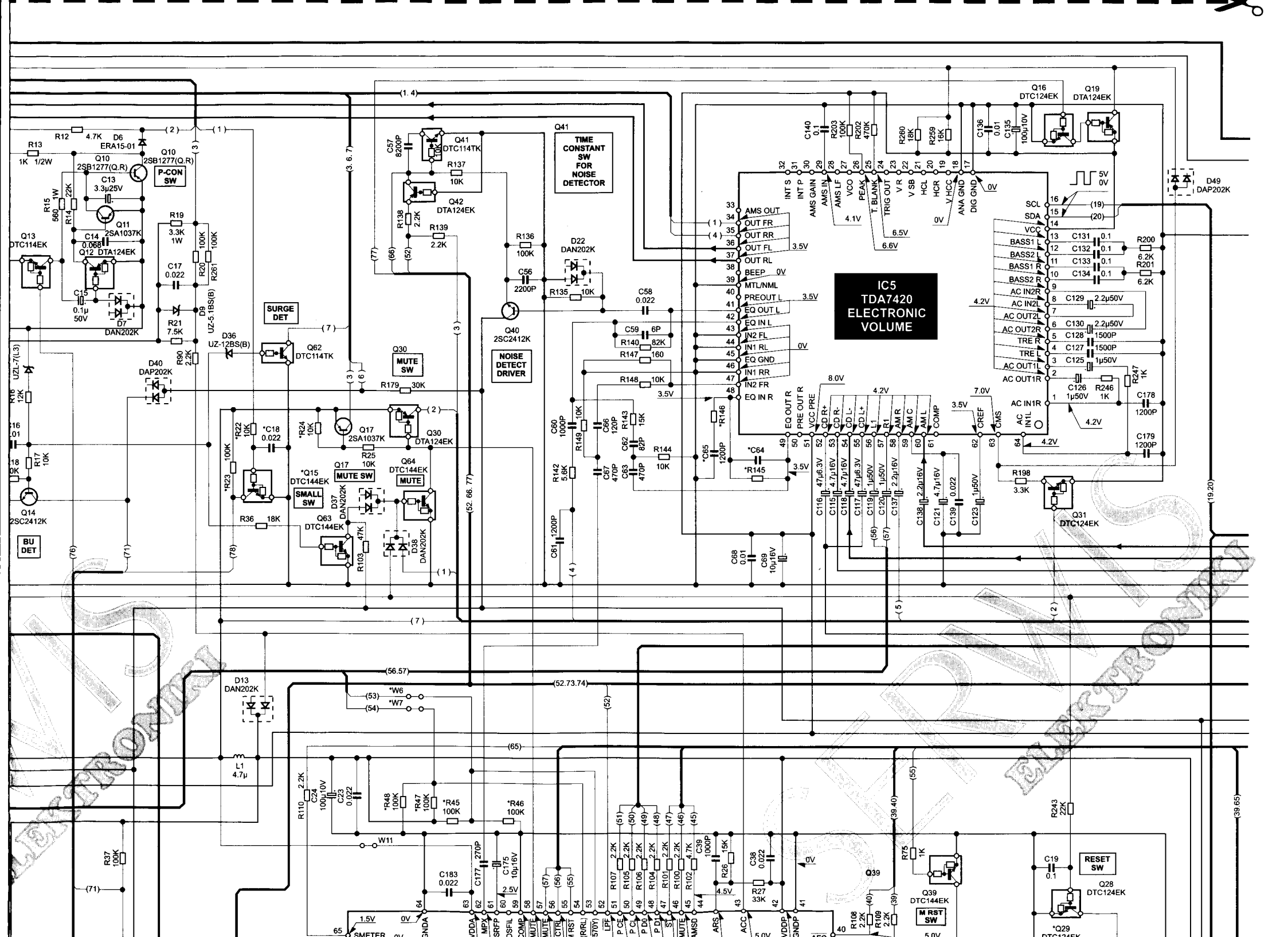
Pin No	Pin Name	I/O	Name	Description	Port logic	Power off
1	GndP		GNDP			
2	VddP		VDDP			
3	OSCOU	O	OSCOU	Clock X'tal oscillator		
4	OSCIN	I	OSCIN	Clock		
5	PC0/MISO 2	O	DATAH	Data output to changer		L
6	PC1/MOSI 2	I	DATAC	Data input from changer		
7	PC2/SCK 2	I	CHCLK	Clock input from changer		
8	PC3/SS2	I	GND	GND		
9	PC4/OC 2	O	REQH	Handshake request to changer		H
10	PC5/OC 1 2	O	CHCON1	DISC-CH 1	Active"H"	L
11	PC6/IC 2	O	CHCON2	DISC-CH 2	Active"H"	L
12	PC7/IC 1 2	I	REMO	Remote control		
13	PD0/MISO 1	I	M DATAM	Data input from mechanism controller		
14	PD1/MOSI 1	O	M DATAS	Data output to mechanism controller		L

Pin No	Pin Name	I/O	Name	Description	Port logic	Power off
15	PD2/SCK 1	O	M CLK	Clock output to mechanism controller		L
16	PD3/SS 1	I	BU 5V	BU 5V		
17	PD4	O	M CS	CHIP select to mechanism controller	Active"L"	L
18	PD5	O	M STOP	STOP request to mechanism controller	Active "L"	L
19	PD6/SCL	O	SCL	12C BUS CLOCK		OPEN
20	PD7/SDA	I/O	SDA	12C BUS DATA		OPEN
21	RESET	I	RESET	Hard Reset	Active"L"	
22	VPP/TEST	I	VPP			
23	Vdd		VDD	Power input		
24	Gnd		GND			
25	PE0	I	REQC	Handshake request from changer		
26	PE1	O	ILLG	ILLUM GREEN	Active"H"	L
27	PE2	O	ILLA	ILLUM AMBER	Active"H"	L
28	PE3	O	DSI	DSI	Active"H"	
29	PE4	O	L RES	LCD driver reset control	Active"L"	L
30	PE5	O	L CE	LCD driver chip enable		

Pin No	Pin Name	I/O	Name	Description
31	PE6	O	L CLK	LCD driver clock
32	PE7	O	L DO	LCD driver data
33	PF0	I	L DI	Data input from LCD driver
34	PF1	I	PANIN	PANEL detection
35	PF2	I	M SRQ	Handshake request from mechanism controller
36	PF3	I	CD MUTE	Mute request from mechanism controller
37	PF4	I	M DWSW	Down switch input from mechanism controller
38	PF5	O	K SWIDE	K21 AUTO/WIDE switch control
39	PF6	I	K TMODE	K21 NARROW/WIDE input
40	PF7	O	AFC	TUNER FM AFC
41	GndP		GNDP	Output BUFF GND
42	VddP		VDDP	Output BUFF VDD
43	AINT	I	ACC	ACC
44	ARS	I	OPEN	OPEN
45	PG0	I	AMSD	TUNER AM SD
46	PGI	I	FMMUTE	TUNER FM MUTE

DW\_SE10/2003

Odbiornik samochodowy z CD K



TIME CONSTANT SW FOR NOISE DETECTOR

IC5 TDA7420 ELECTRONIC VOLUME

NOISE DETECT DRIVER

MUTE SW

SURGE DET

BU DET

SMALL SW

MUTE SW

P-CON SW

RESET SW

M RST SW

Q28 DTC124EK

Q29 DTC124EK

Q31 DTC124EK

Q40 2SC2412K

Q41 DTC114TK

Q42 DTA124EK

Q19 DTA124EK

Q16 DTC124EK

Q10 2SB1277(Q,R)

Q11 2SA1037K

Q12 DTA124EK

Q13 DTC114EK

Q14 2SC2412K

Q15 DTC144EK

Q17 2SA1037K

Q18 DTC114TK

Q20 DTA124EK

Q21 DTC144EK

Q22 DTA124EK

Q23 DTC114TK

Q24 DTA124EK

Q25 DTC114TK

Q26 DTA124EK

Q27 DTC114TK

Q28 DTA124EK

Q29 DTC114TK

Q30 DTA124EK

Q31 DTC114TK

Q32 DTA124EK

Q33 DTC114TK

Q34 DTA124EK

Q35 DTC114TK

Q36 DTA124EK

Q37 DTC114TK

Q38 DTA124EK

Q39 DTC114TK

Q40 DTA124EK

Q41 DTC114TK

Q42 DTA124EK

Q43 DTC114TK

Q44 DTA124EK

Q45 DTC114TK

Q46 DTA124EK

Q47 DTC114TK

Q48 DTA124EK

Q49 DTC114TK

Q50 DTA124EK

Q51 DTC114TK

Q52 DTA124EK

Q53 DTC114TK

Q54 DTA124EK

Q55 DTC114TK

Q56 DTA124EK

Q57 DTC114TK

Q58 DTA124EK

Q59 DTC114TK

Q60 DTA124EK

Q61 DTC114TK

Q62 DTA124EK

Q63 DTC114TK

Q64 DTA124EK

Q65 DTC114TK

Q66 DTA124EK

Q67 DTC114TK

Q68 DTA124EK

Q69 DTC114TK

Q70 DTA124EK

Q71 DTC114TK

Q72 DTA124EK

Q73 DTC114TK

Q74 DTA124EK

Q75 DTC114TK

Q76 DTA124EK

Q77 DTC114TK

Q78 DTA124EK

Q79 DTC114TK

Q80 DTA124EK

Q81 DTC114TK

Q82 DTA124EK

Q83 DTC114TK

Q84 DTA124EK

Q85 DTC114TK

Q86 DTA124EK

Q87 DTC114TK

Q88 DTA124EK

Q89 DTC114TK

Q90 DTA124EK

Q91 DTC114TK

Q92 DTA124EK

Q93 DTC114TK

Q94 DTA124EK

Q95 DTC114TK

Q96 DTA124EK

Q97 DTC114TK

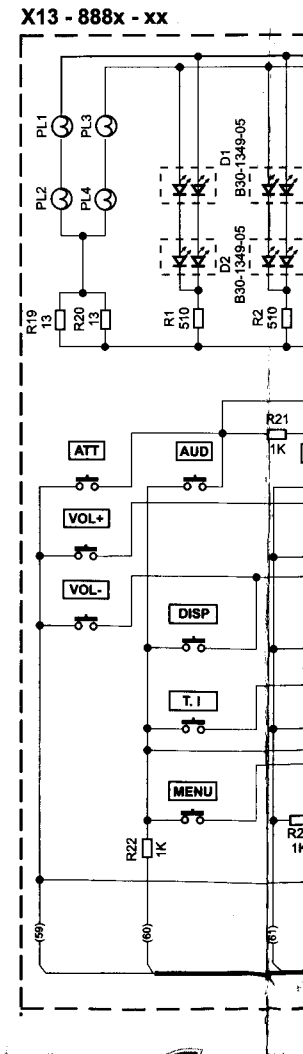
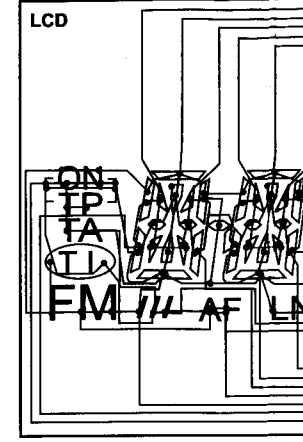
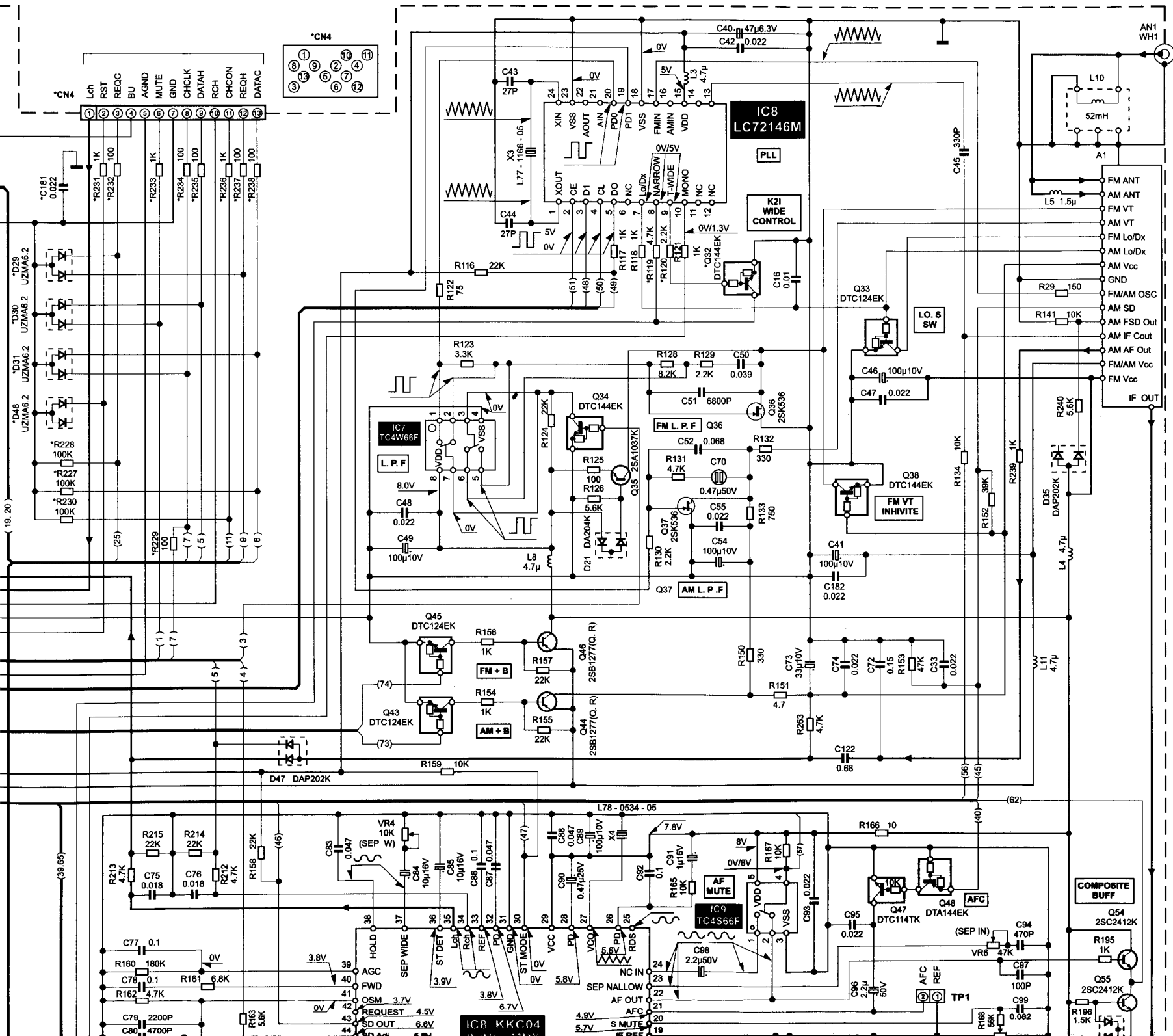
Q98 DTA124EK

Q99 DTC114TK

Q100 DTA124EK

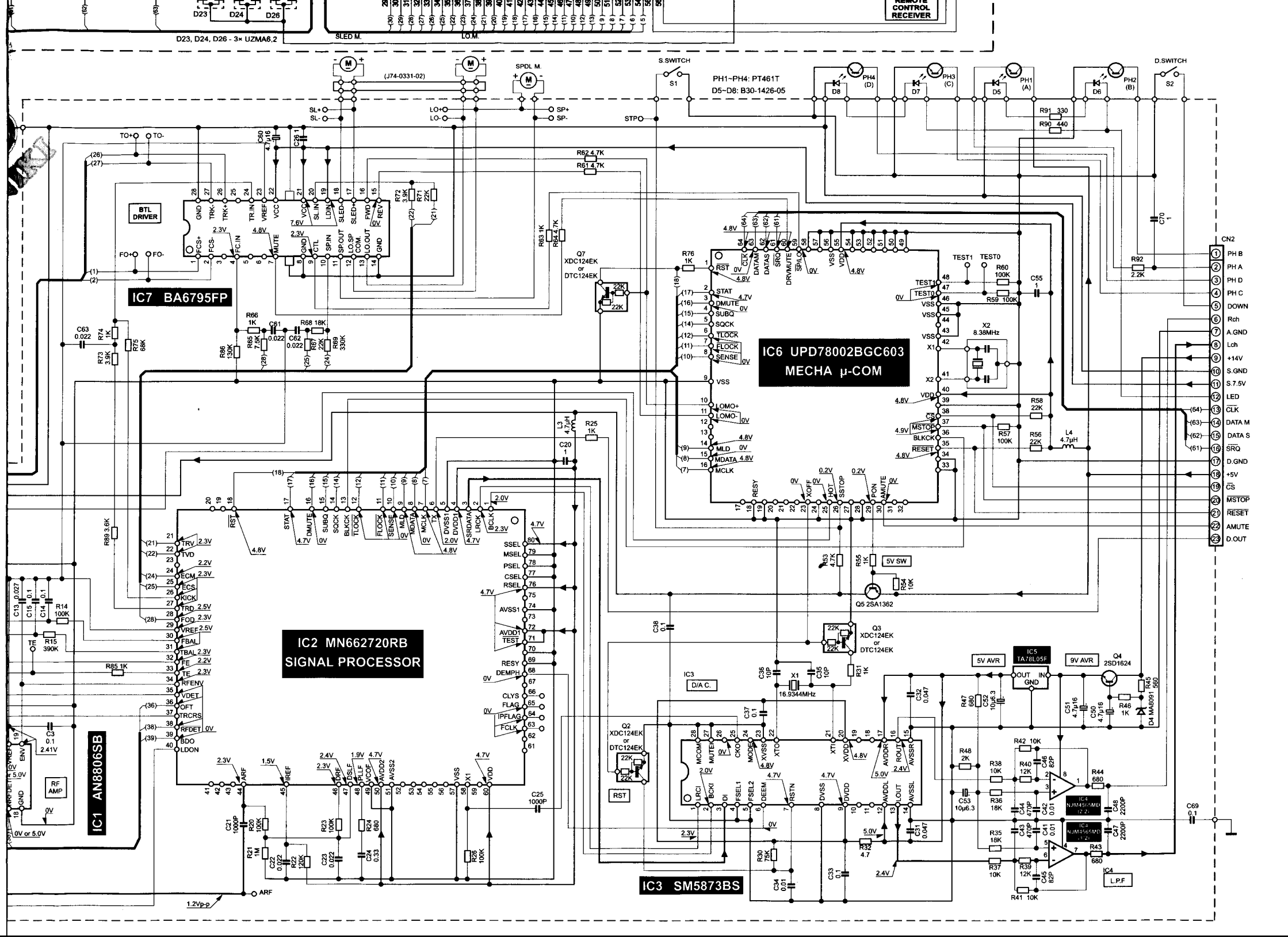


(X13 - 8880 - 10 : E1, E2, 2 - 71 : E3,









D23, D24, D26 - 3x UZMA8.2

SLED M.

LO.M.

CONTROL RECEIVER

(J74-0331-02)

SPDL M.

S.SWITCH

PH1-PH4: PT461T  
D5-D8: B30-1426-05

D.SWITCH

IC7 BA6795FP

IC6 UPD78002BGC603  
MECHA μ-COM

IC2 MN662720RB  
SIGNAL PROCESSOR

IC1 AN8806SB

IC3 SM5873BS

- ① PH B
- ② PH A
- ③ PH D
- ④ PH C
- ⑤ DOWN
- ⑥ R.h
- ⑦ A.GND
- ⑧ L.h
- ⑨ +14V
- ⑩ S.GND
- ⑪ S.7.5V
- ⑫ LED
- ⑬ CLK
- ⑭ DATA M
- ⑮ DATA S
- ⑯ SRQ
- ⑰ D.GND
- ⑱ +5V
- ⑲ CS
- ⑳ MSTOP
- ㉑ RESET
- ㉒ AMUTE
- ㉓ D.OUT